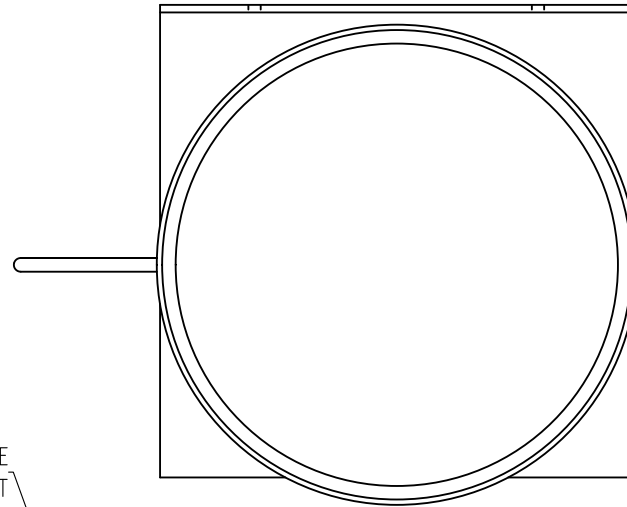
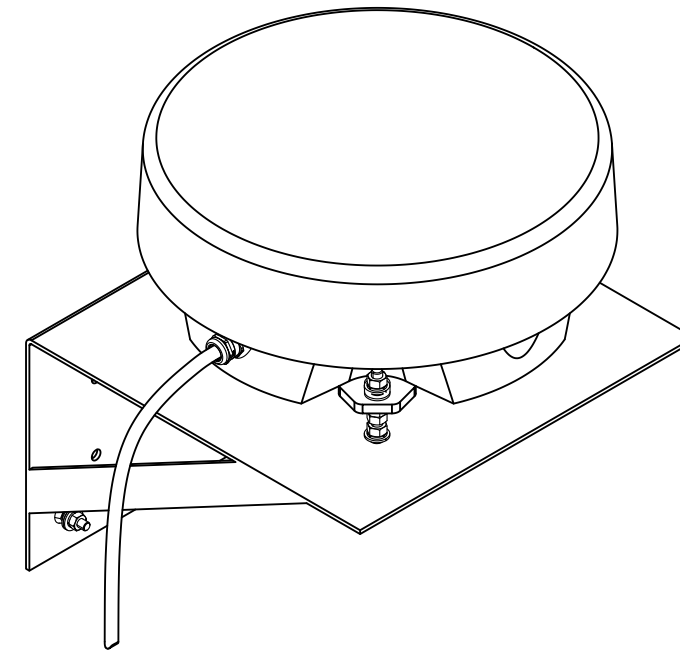


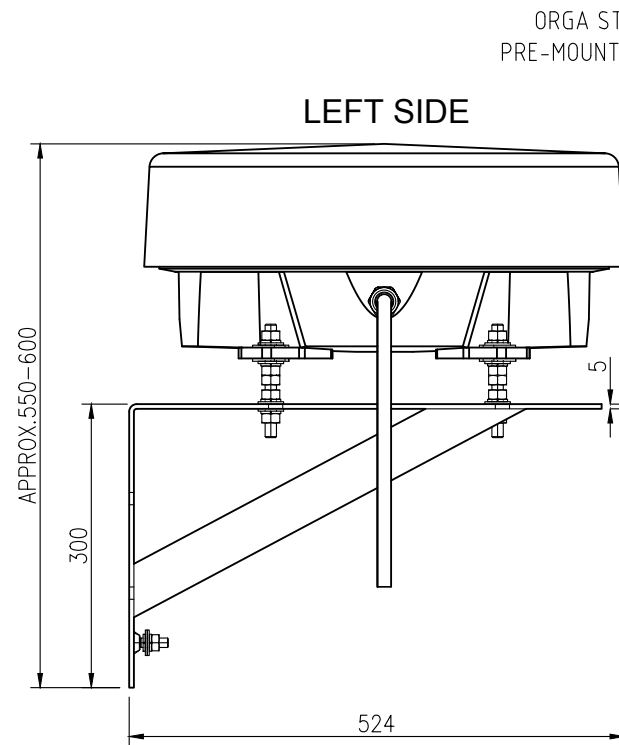
TOP VIEW



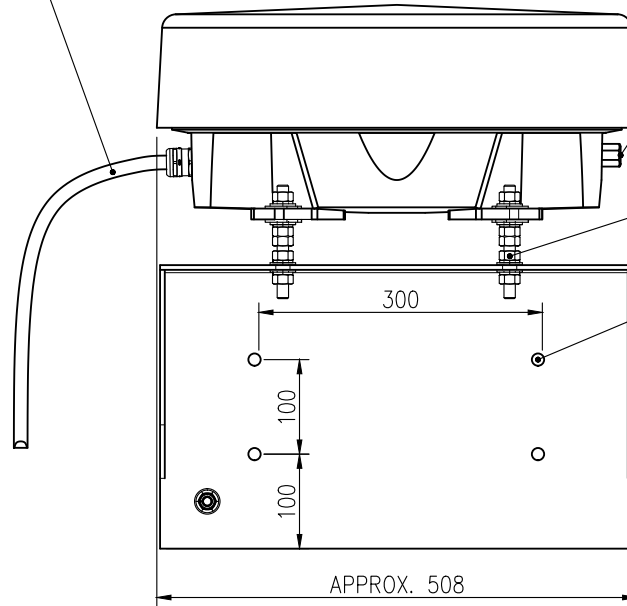
SE ISOMETRIC VIEW



LEFT SIDE

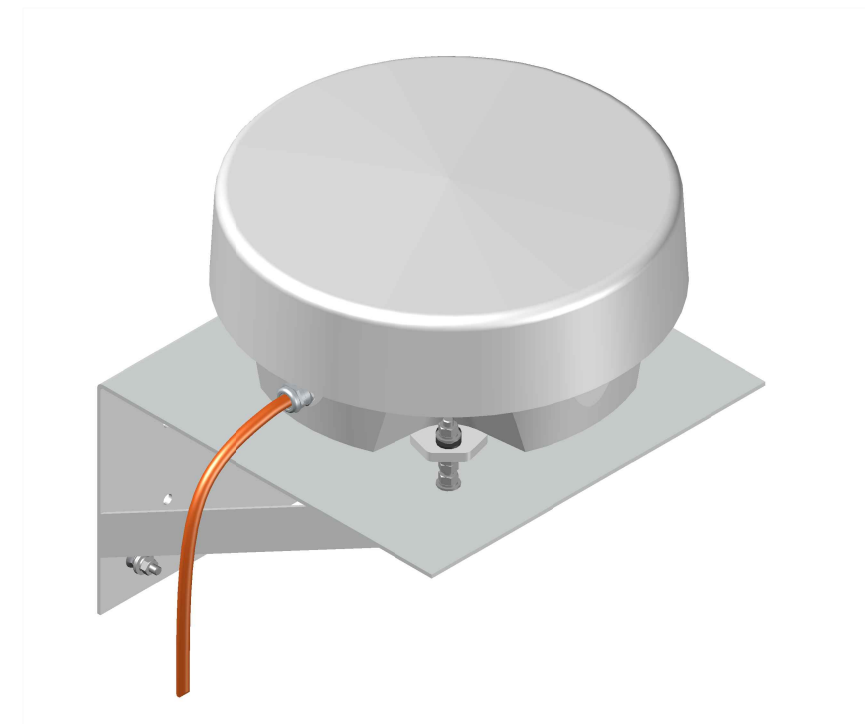


FRONT VIEW

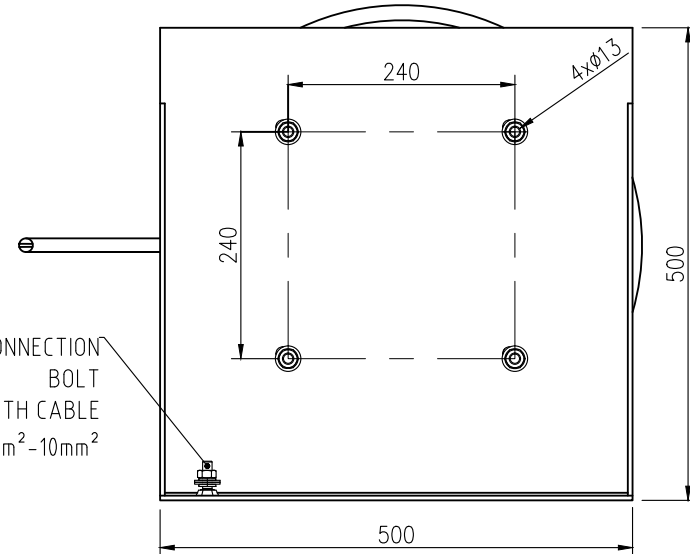


PHOTOCELL
 MOUNTING
 4x TREADED RODS
 LENGTH: 90-120mm 3,5-4"
 DIAMETER: 12mm 1/2"
 (BY OTHERS)
 MOUNTING
 ENTRIES:
 4x Ø15mm

SE ISOMETRIC VIEW



BOTTOM VIEW



M10 EARTH CONNECTION
 BOLT
 CONNECT EARTH CABLE
 WITH MINIMAL 6mm²-10mm²

WALL BRACKET WITH L550 LIGHT

TYPE : WALL BRACKET
 TYPE : FOR L550 LIGHT
 MATERIAL : HOT DIEP GALVANISED
 BRACKET THICKN. : 5mm STEEL

Rev.	Date:	Drawn:	Checked:	Remarks:
0	24-02-2017	BJ		FOR INFO
1				
2				
3				
4				

Drawn: 24-02-2017	Client ref.:
Date: 24-02-2017	Orga ref.:
Checked: 24-02-2017	Scale: 1:8
Date: 24-02-2017	Size: A3
All rights of design or invention are reserved.	Part of:

WALL MOUNTING BRACKET
TYPE: WALL MOUNTING BRACKET FOR L550 / L450 LIGHT
Client: Y.K. Almoayyed & Sons W.L.L.

	T +31(0)10 208 5555
	F +31(0)10 437 8445
Drawing nr.:	Sheet:
019486 WALL BRACKET	1/1

