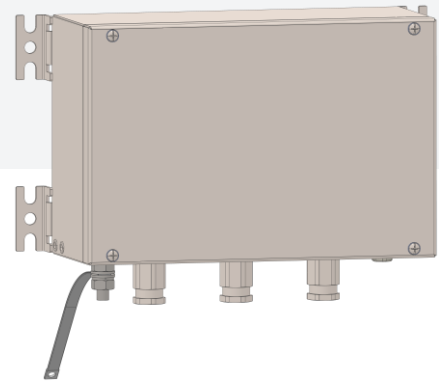


JBX2030

High and medium intensity light junction box series

The JBX2030 light junction box is a compact unit for use in Orga high intensity and medium intensity obstruction light systems



KEY FEATURES

- Provides optimum connection facility for Orga Strobeline™ data cable to ensure correct system operation and protection
- Easy to install

STANDARDS/CERTIFICATION

- Complies with generic EMI (NEN-EN-IEC 61000-6-2) and EMC (NEN-EN-IEC 61000-6-4) RF immunity and emission Standards

PHYSICAL CHARACTERISTICS

- Dimensions: see drawing
- Weight: 4.5 kg
- Design degree of protection: IP66
- Breather on the bottom side of the enclosure
300 x 200 x 135mm, 4.5kg

SYSTEM DESIGN, CONTROL AND MONITORING

- Enclosure material: Stainless steel 316L
- Supplied with M20 EMC type cable glands for 8-15mm cable
- Use the JBX2030 junction box in obstacle light systems with Orga medium and high intensity lights and Orga Strobeline™ cable

