

ELECTRICAL CONTACTS

THE CONTACT MAKES THE DIFFERENCE.



A PERFECT ALLIANCE.



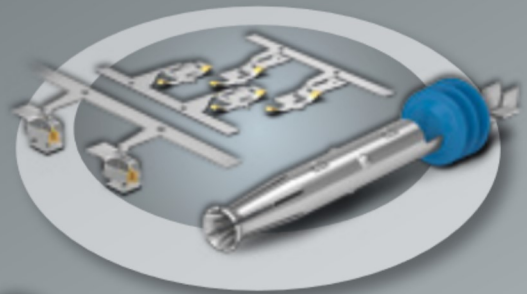
ODU LAMTAC®

maximum current-carrying capacity and temperature resistance of up to 180 °C



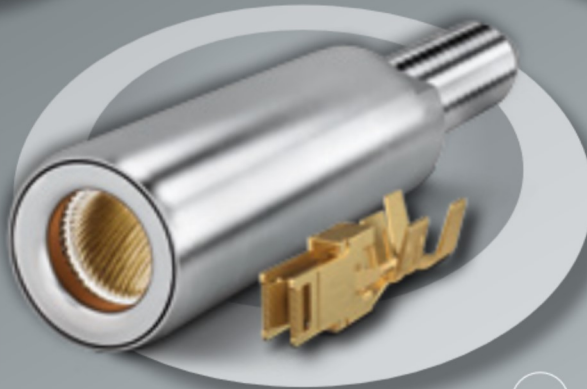
ODU TURNTAC®

rugged and universal contact system suitable even for harsh environments



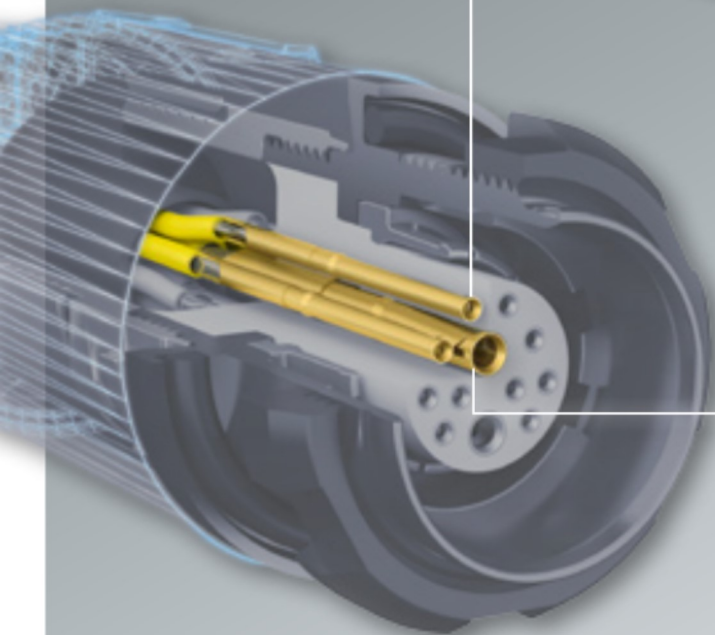
ODU STAMPTAC®

economical contact systems for automatic processing



ODU SPRINGTAC®

outstanding reliability, lifetime and durability with up to 1 million mating cycles



• 80 YEARS



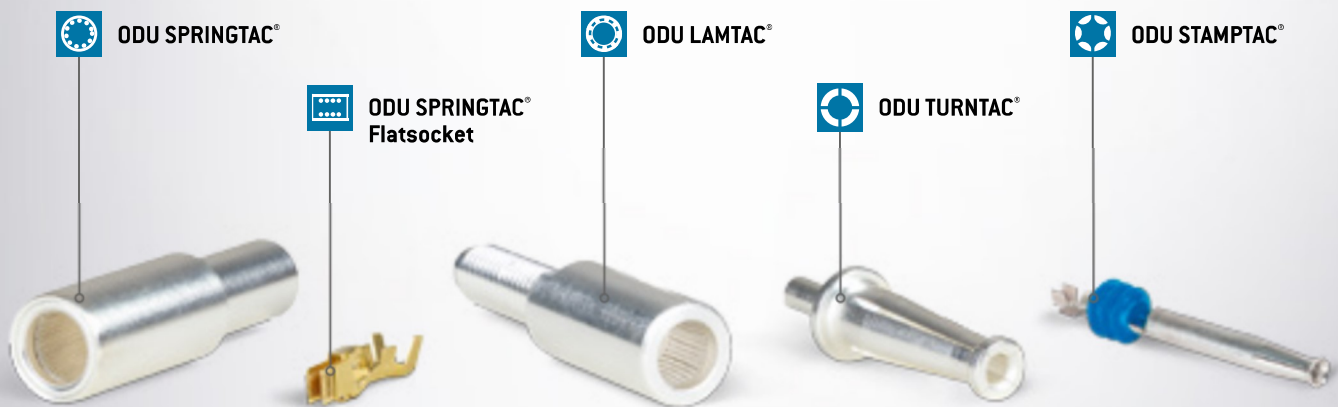
CONTACTS •



Further information at
www.odu-connectors.com/electrical-contacts

ELECTRICAL CONTACTS FOR RELIABLE CONNECTOR SOLUTIONS

ODU's diverse contact portfolio offers solutions for the most varied requirements – and thus the perfect connector technology for every need. It covers extremely durable springwire contacts, high-performance lamella contacts, universal turned and slotted contacts, as well as economically stamped contact solutions for use in large serial production.



	ODU SPRINGTAC®	ODU SPRINGTAC® Flatsocket	ODU LAMTAC®	ODU TURNTAC®	ODU STAMPTAC®
Contact technology	Springwire technology	Springwire technology	Lamella technology	Turned, slotted contacts	Stamping technology
Contact security	+++	+++	++	+	++
Contact diameter	from Ø 0.76 mm	from 0.64 x 0.64 mm	from Ø 1.5 mm	from Ø 1.5 mm	Ø 3 und Ø 6 mm
Mating cycles	> 100,000 (up to 1 million)	> 50,000	> 10,000	> 10,000	> 10,000
Operating temperature range	-40 °C to +120 °C	-40 °C to +120 °C	-40 °C to +150 °C	-40 °C to +120 °C	-40 °C to +105 °C
High temperature range	up to +300 °C (on request)		up to +180 °C (on request)		
Surfaces	Ag (Au up to Ø 1.02 mm)	Ag / Au	Ag	Ag	Ag
Termination technologies	crimp / screw solder	crimp / solder / ODU QCH*	crimp / screw solder	crimp / screw solder	crimp
Through-hole design	+		+		

*ODU QCH = ODU quick-change head