

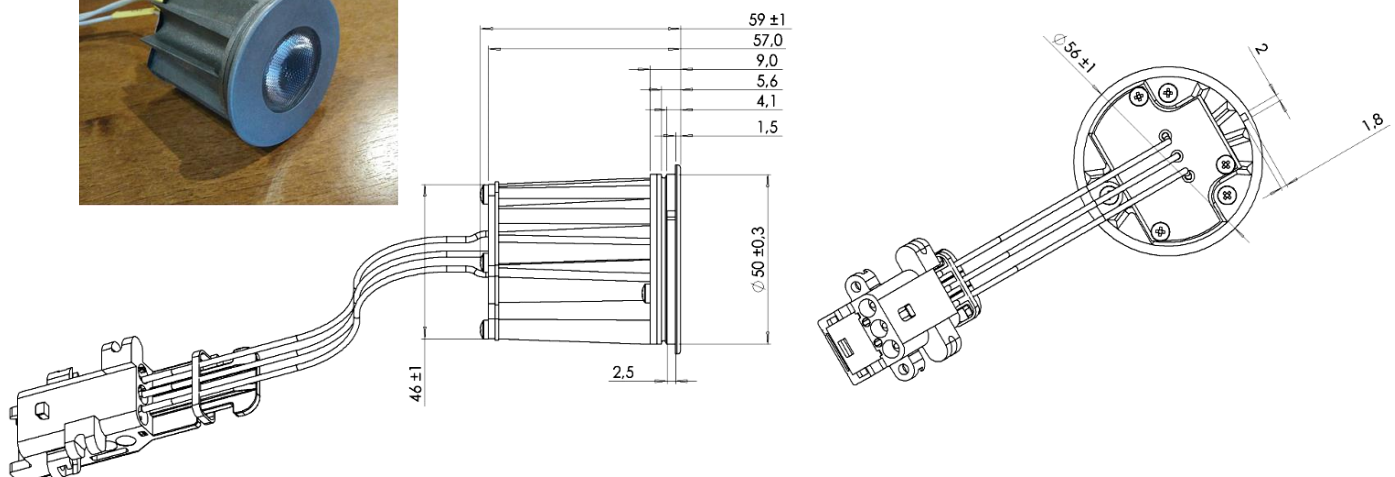
Rue du Charbonnage, 20
 B-4020 Wandre - Belgique
 Tel : +32(0) 4 239 73 41
 Fax : +32(0) 4 239 73 49
 E-mail : info@kst-lighting.com
 Web site : www.kst-lighting.com

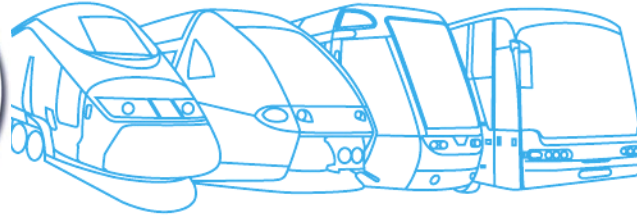


DATA SHEET

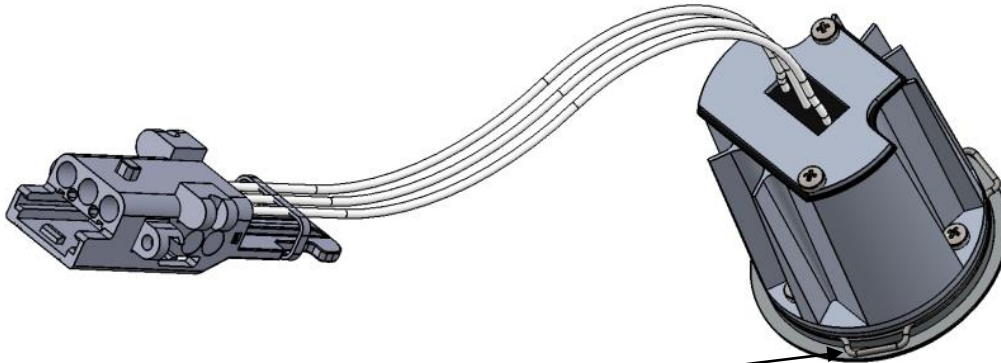
DATE AND REVISION	20/11/17 - 02
PRODUCT REFERENCE	NP361-24
DESCRIPTION	LED Spot for rolling stock application

Features	high power LED / Integrated driver / Integrated heat sink in housing / specific lens / fixing spring (option)
Nominal Input Voltage	24VDC
Input voltage range	17 to 34VDC
Input power	3.5W
DC input current at nominal voltage	145mA +/-5%
Typical output lumen	290lm
Typical standard lens Angle	32° ± 3° (**)
Dimension (Height – Diameter)	40mm – 50mm
Total weight	120gr
Maximum temperature variation (ΔT)	12°C
Operating temperature	-5 to +60°C
Storage temperature	-25 to +70°C
Tolerance on flux and radiometric power	5%
Color temperature	3000K ± 7% maximum 3SDCM (***)
EMC	Conformity with the EN 50121-3-2
Connector (3 options)	SMS3PDH3 OR WAGO 721 OR 2 stripped wires (3 outputs +/-GND)
Protection degree	IP54
Case material	Aluminum
LED support material	Metal core PCB (MCPCB)
Average Life time @30°C with 70% Lumen maintenance	50.000h (L70/B50)





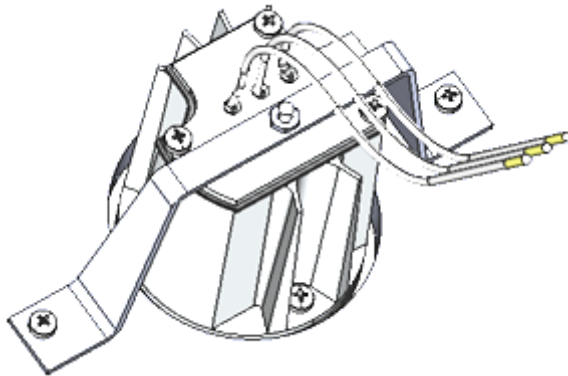
Rue du Charbonnage, 20
 B-4020 Wandre - Belgique
 Tel : +32(0) 4 239 73 41
 Fax : +32(0) 4 239 73 49
 E-mail : info@kst-lighting.com
 Web site : www.kst-lighting.com



(*) Fixing spring in option

Information:

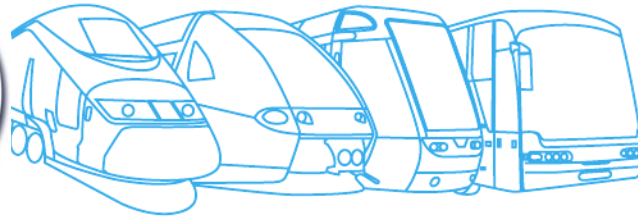
Other potential fixing principle



(**) lens angles

Available in 4 different view angles

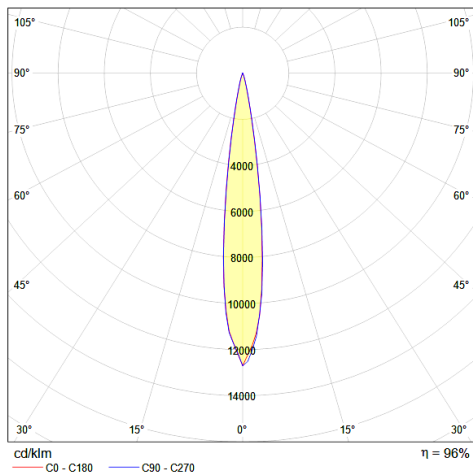
Lens reference	Lens Name	Viewing angle (FWHM)
C10684	D	14°
C10685	M	24°
C10686	W	32°
C10909	WW	47°



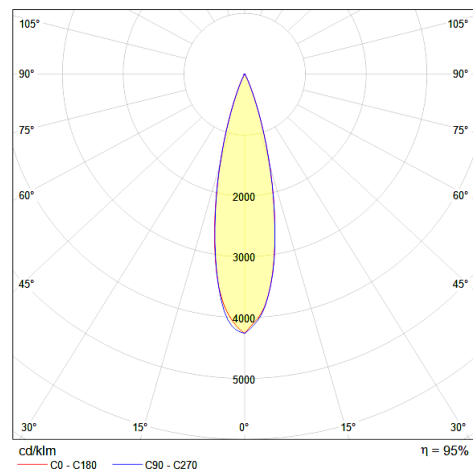
Rue du Charbonnage, 20
 B-4020 Wandre - Belgique
 Tel : +32(0) 4 239 73 41
 Fax : +32(0) 4 239 73 49
 E-mail : info@kst-lighting.com
 Web site : www.kst-lighting.com



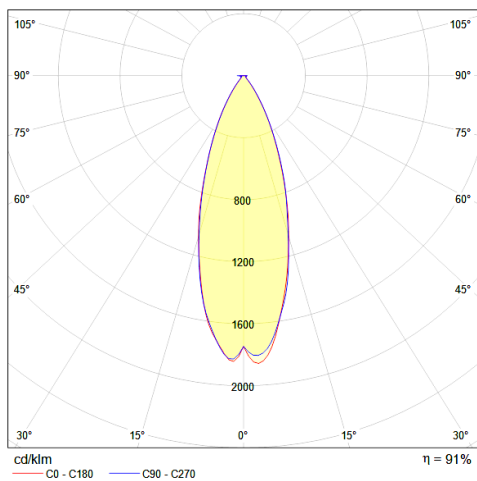
C10684 D



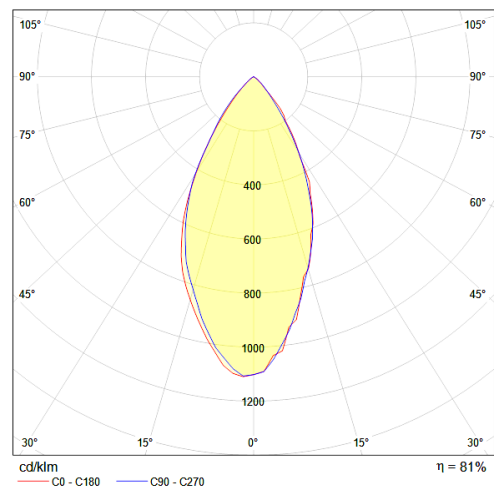
C10685 M



C10686 W



C10909 WW



(*) Color temperature**

Available in 3000K (warm white) or 4000K (neutral white)