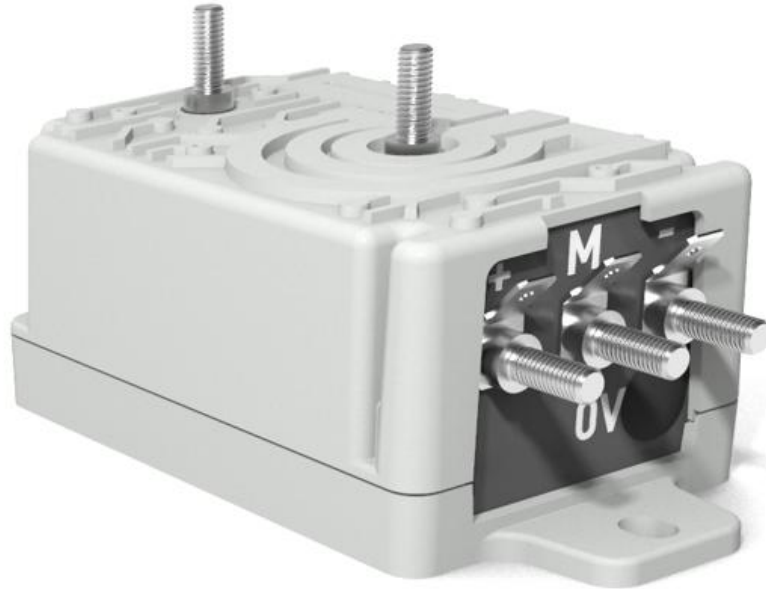


Voltage Sensor - VenuS 125 V



PVS0125I-1BCAA0 STANDARD

Measuring DC, AC., and pulsating voltages with a galvanic insulation between primary and secondary circuits.



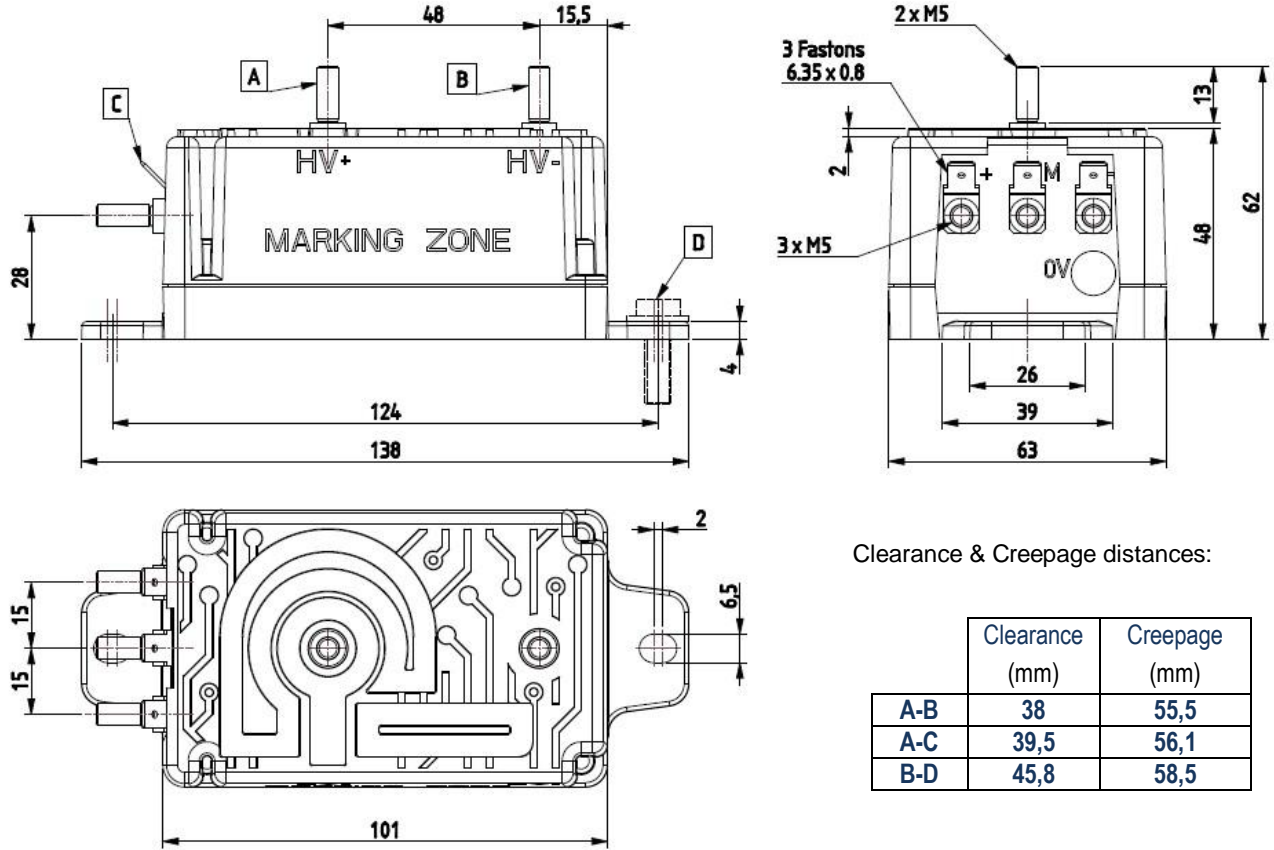
KEY FEATURES

- Bipolar and insulated measurement up to 187,5 V
- Bipolar current output 50 mA rms for 125 Vrms
- Primary Input and secondary output connections designed for M5 studs
- Secondary output connections 3x M5 studs

APPLICATIONS



Overall dimensions

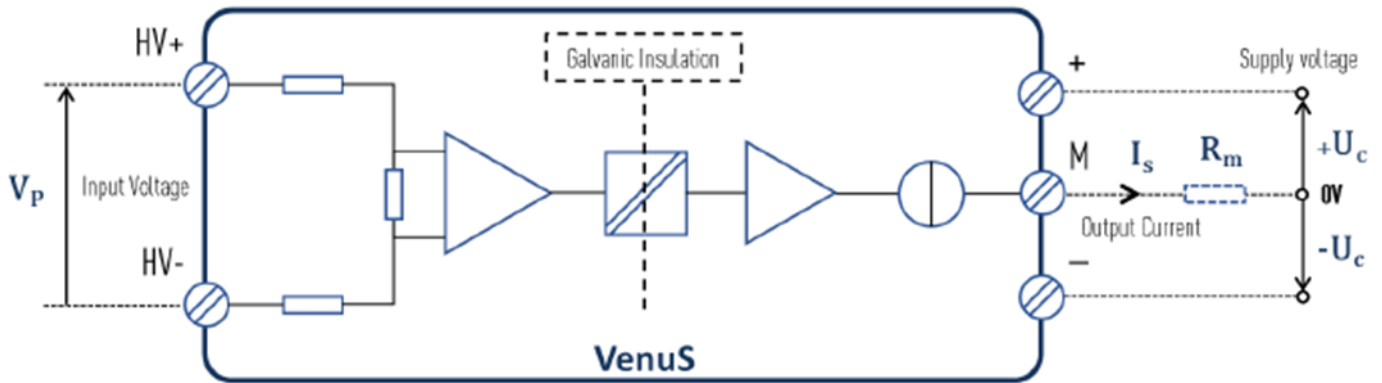


Mechanical characteristics

- General tolerance: ±1 mm
- Outline: 138mm(Z)X63mm(X)x62mm(Y)
- Sensor fixing: 2x M6 screws
- Primary connection: 2x M5 Threaded studs
- Secondary connection: 3x M5 threaded studs
- Recommended M5 tightening torque: 2,2 N.m max
- Mass: < 280g
- Assembly requirements: Operational in any position



Synoptic (current output)



Voltage range

Parameters	Symbol	Unit	Value
Operating primary voltage	V_{PN}	V_{rms}	125
Maximum primary voltage (measuring range)	V_{Pmax}	V_{peak}	$\pm 187,5$
Operating secondary supply voltage range	U_c	V_{dc}	± 24
Maximum secondary supply voltage range (Peak)	U_{cmax}	V_{dc}	± 34
Minimum secondary supply voltage range	U_{cmin}	V_{dc}	± 15

Operating at mentioned maximums voltage for an extended period may degrade reliability.

Using the device beyond these voltage ranges may cause permanent damage that could not be considered as under Petercem's responsibility.

Temperature range

Parameters	Symbol	Unit	Min	Max
Operating temperature range	T_o	$^{\circ}C$	-40	+85
Storage temperature range	T_s	$^{\circ}C$	-50	+90
Room temperature	T_A	$^{\circ}C$	20	25

All mentioned electrical performances in this data sheet apply only in the operating temperature range unless otherwise specified.

Operating at mentioned extreme temperatures for an extended period may degrade reliability.

Using the device beyond these temperature ranges may cause permanent damage that could not be considered as under Petercem's responsibility.



Insulation properties

Parameters	Symbol	Unit	Value	Comments
Dielectric test AC, 50 Hz, 1min	U_d	kV _{rms}	8,5	100% tested
Impulse withstand voltage 1.2/50 μs	Ū_w	kV	16	
Partial discharges ; Extinction voltage(@ 10pC, 50Hz)	U_e	kV _{rms}	2,7	
Insulation resistance	R_{INS}	MΩ	200	@500Vdc
Primary resistance	P_r	MΩ	11,3	
Case material (according to UL94)	-	-	V0	
Comparative tracking index	CTI	-	600	
Clearance distance	Cl.	mm	See dimension values on page 2	
Creepage distance	Cr.	mm		
Sealing	IP		IP4X	(casing)
Maximum DC common mode voltage	U_{HT+} + U_{HT-} U_{HT+} - U_{HT-I}	kV	≤ 4.2 ≤ V _{PM}	



Electrical performances

Parameters	Symbol	Unit	Min.	Typ.	Max.	Comments
Secondary nominal current RMS	I_{sn}	mA		±50		
Maximum secondary current AC at V _{PN}	I_s	mApp	-75		75	
Overall accuracy	X_ε	% of V _{PN}	-1		+1	-40.....+85°C
Accuracy at T _A	X_ε	% of V _{PN}	-0.5		+0.5	25°C
Frequency bandwidth at 14 kHz	BW	dB		-3		See Figure 1
Measuring resistance	R_M	Ω	0	133	200	
Current consumption at U _c = ±24V at V _P = 0 V	I_c	mA		70		
Offset current	I_o	μA	-50		50	
Linearity drift over V _{Pmax} range	ε_L	% of V _{PN}	-0.5		0.5	
Total primary power loss at V _{PN}	P_P	W		0.35		
Start-up time	t_{start}	ms			250	
Dv/dt correctly followed	Dv/dt	V/μS			24	
Response time	T_{D10}	μS	40			
Sensitivity error	ε_s	%	-0,2		+0,2	
Sensitivity	S	μA/V		400		
Rise time of U _c (10-90%)	trise	ms			100	

Particularities

Parameters	Symbol	Unit	Min.	Typ.	Max.	Comments
Burn in test according to cycle						FPTC404304



Standards

Standards	Revision
EN 50155: OT6, ST0, H2, PC2	2021
EN 50124-1	2017
EN 50121-3-2	2019
EN 50 128	2011
EN 50178	1997
EN 45545 HL2	2013
IEC 61010	2016
UL 508	2003 (Pending)
UL 94-V0	2022

Conditions for Acceptance:

1. These components must be installed within an appropriate enclosure for their intended end-use application.
2. The device's Basic Insulation Level is rated at 16kV, which has been verified through Impulse Withstand Testing. If a higher BIL rating is requested, we need to plan more tests on our VenuS and the cost of the tests will be borne by the applicant.



Safety warnings

This sensor must be used in electrical circuits according to EN61010-1.



This sensor must be used in electric/electronic equipment with respect to applicable standards and safety requirements in accordance with the system instructions and internal customer rules.



Caution: risk of electrical shock. When operating the sensor, certain parts can carry hazardous voltages (primary bar, power supply...). Ignoring this warning can lead to injury and/or cause serious damage.



✉ Petercem-SENSORS@petercem.fr

☎ +33 (0)4 72 90 00 65

www.petercem-sensors.com



MAFELEC TEAM

